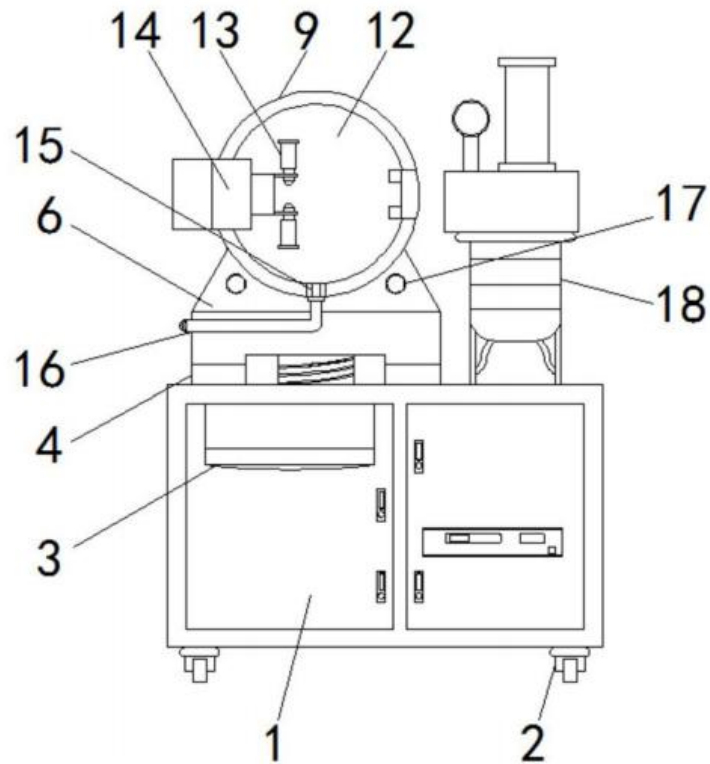


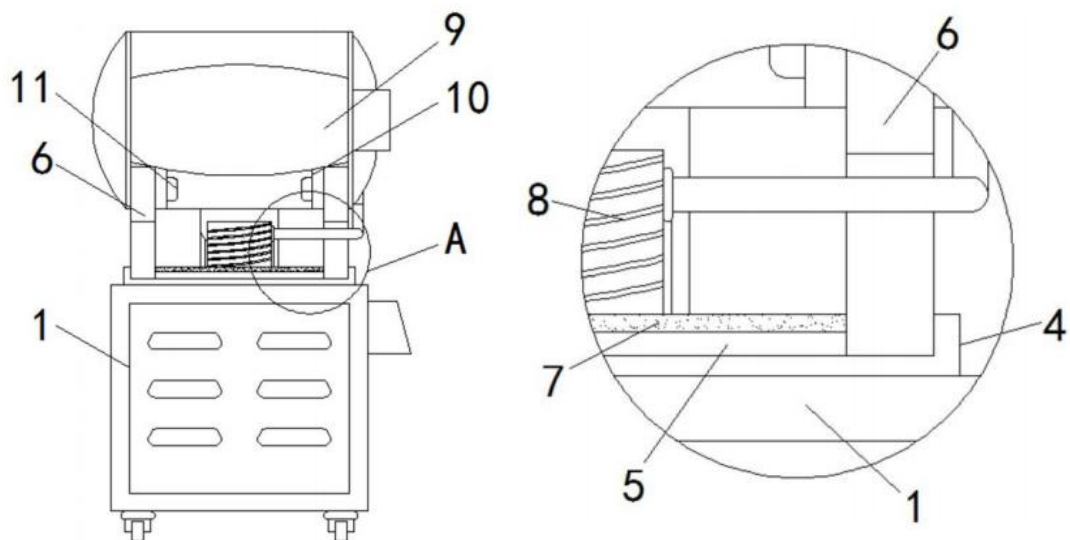
Double temperature measurement microwave vacuum test furnace

Dual temperature measurement microwave vacuum test furnace has the following advantages:

1. Double temperature measurement microwave vacuum test furnace is provided with a bottom plate for the staff to clean. When cleaning the furnace body, first take out the top plate above the guide rail, remove the restriction of the two support plates, then pull out the connecting pipe, pull out the bolt from the pin hole to separate the furnace body from the support plate, next, slowly move the support plate through the guide rails and finally remove the furnace body.
2. Double temperature measurement microwave vacuum test equipment avoids the phenomenon that the staff can not clean the dead corner due to the limitation of the position when cleaning the fixed installation of the furnace body, which affects the next test.
3. High security. Double temperature measurement microwave vacuum test furnace is provided with a front cover. When the worker turns on the instrument, the instrument discharges the internal gas generated by the high temperature through the connecting pipe into the gas tank. Avoid the harmful gases or high-temperature gases generated from the instrument leak out, causing harm to the human body.
4. Good stability. Double temperature measurement microwave vacuum test furnace is inserted into the pin hole, and the connecting block is fixedly connected with the support plate, thereby fixing the furnace body on the support plate, thereby improving the stability of the instrument.



Schematic diagram 1 of mechanical structure of double temperature measurement microwave vacuum test



Schematic diagram 2 / Schematic diagram 3 of mechanical structure of double temperature measurement microwave vacuum test

1 mounting table, 2, universal wheel, 3, indicating table, 4 bottom plate, 5 guide rail, 6 support plate, 7 top plate, 8 gas tank, 9 furnace body, 10 connection block, 11 bolt, 12 front cover, 13 hinge shaft , 14 handles, 15 connectors, 16 connection tubes, 17 bolt holes, 18 control devices

Related parameters of double temperature measurement microwave vacuum test furnace:

Brand	Leader	Processing Customization	Yes
Category	Vacuum	Power	6 (kw)
External dimension	1.3*1.5*1.7 (m)	Floor area	2 (m ²)
Heat transfer area	1 (m ²)	Rotation rate	6 (r/min)
Operating pressure	Negative pressure	Weight	500 (kg)
Specification	PLC Control	Whether cross-border supply	No

Leader Microwave Equipment Company has won the favor of many users with excellent equipment and warm and perfect service. Our customers are spread in many countries and regions at home and abroad. We are honored for this and are committed to providing the perfect testing equipment for more scholars. If you need our dual temperature microwave vacuum test furnace and hopper type microwave vacuum composite dehumidification and drying device. Welcome to contact us at any time.