

Multilayer continuous vacuum microwave drying equipment

At present, traditional ovens and other equipment have problem with discontinuous production process, time-consuming and laborious, high energy consumption, high production cost and low output. Multilayer continuous vacuum microwave drying equipment can solve the problem.

The unique structure of multilayer continuous vacuum microwave drying equipment brings advantages as following:

1.The microwave heating system set up on the tank of continuous vacuum microwave drying equipment is arranged around the tank, which is composed of microwave energy independence. Its microwave feeder is close to the corresponding conveying mechanism of each layer, which directly emits microwave energy and radiates and heats the materials on the conveying mechanism of the upper and lower layers at the same time.

2.For continuous vacuum microwave drying equipment containing conveying mechanism of more than two layers, the microwave heating system set on the tank body, with its microwave energy seal passing through the tank body, places the microwave conveyor above each layer of conveying mechanism, and the microwave conveyor above each layer of conveying mechanism can work independently.

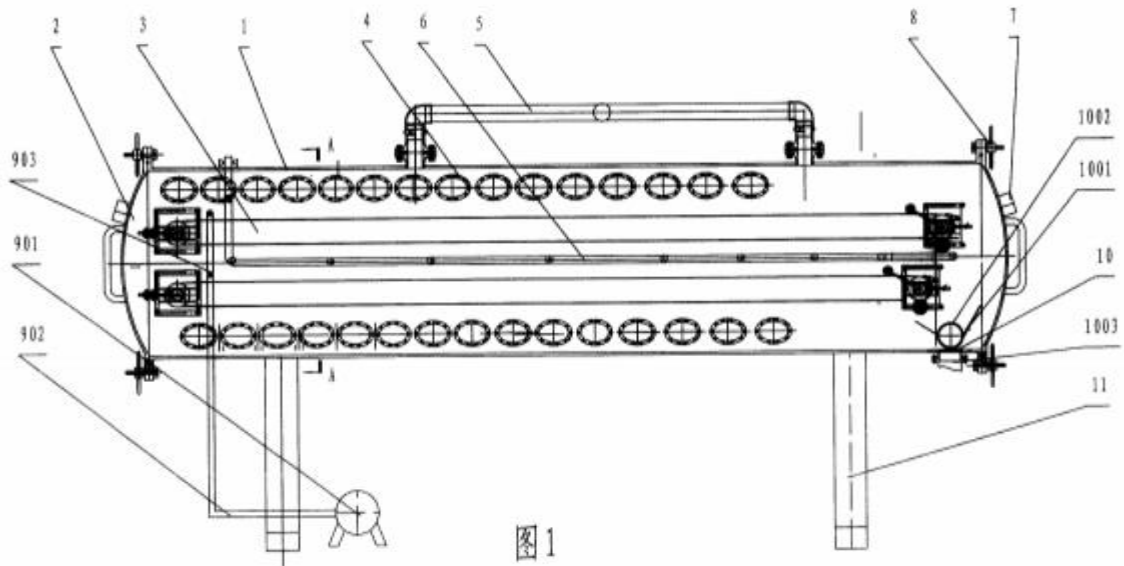
3.Multilayer microwave vacuum microwave drying equipment conveyor length or different length. Microwave conveyor such as long as opposed to a transport agency side walls have microwave feed mouth open, so that the microwave energy uniform irradiation on the transmission mechanism of the material. Microwave conveyors with different lengths arrange their lengths according to aging factors and uniformity of dry materials. The end of the microwave conveyor is provided with a microwave feed port, which facilitates the irradiation of microwave energy on the materials in the conveyor mechanism.

4.The continuous vacuum microwave drying equipment tank is equipped with multi-layer independent control, parallel arrangement of transport mechanism, under the condition that the length and occupation area of the equipment remain the same, the production capacity of the equipment increases exponentially, and because the transport mechanism of each layer is independently controlled, the production capacity of the equipment can be flexibly adjusted according to the actual production needs.

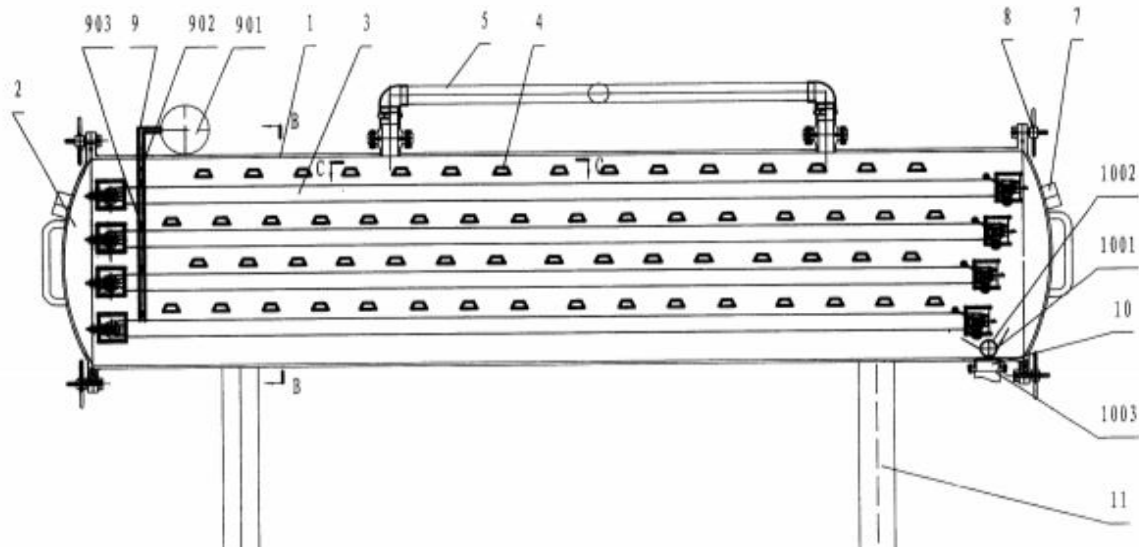
5. According to the requirements of the material dry aging factors and uniformity, the microwave heating system of microwave feed mouth near by the agency in each layer of the corresponding transport, transportation organization and for each layer of microwave energy control separately, to solve the layout problem of multilayer microwave feed port transportation agency, not only the reasonable and effective use of microwave energy, and obviously improves the drying speed of material.

Technical parameters of multilayer continuous vacuum microwave drying equipment:

type	1	2	3	4
Microwave frequency/MHz	2450±30	2450±30	2450±30	2450±30
Microwave power/kw	40	60	80	100
Input power/kw	45	65	85	105
Input voltage/V	380	380	380	380
length*width*height/m	9.8×1.2×2.5	13.1×1.2×2.5	14.2×1.2×2.5	16.4×1.2×2.5
Width of belt/m	0.6	0.6	0.6	0.6
layer	3	3	3	3
weight/T	3.5	4.8	5.6	7



Multilayer continuous vacuum microwave dryer structure diagram 1



Multilayer continuous vacuum microwave dryer structure diagram 2

1-tank ; 2-tanks head ; 3-conveying mechanism ; 4-microwave heating system ,
 401-microwave energy, 402-microwave conveyor, 403-microwave feed mouth; 5-vacuum
 lead; 6-in-situ cleaning device; 7-sight glass; 8-locking device; 9-feeding mechanism,
 901-charge pump, 902-feed pipe, 903-feeding branch; 10-the institution, 1001-material
 receiving tank, 1002-screw propeller, 1003-discharge; 11-stand

So far, our Leader Microwave Equipment Company sincerely for the customer to provide perfect pre-market and after-sales service, so we won the trust of many customers at home and abroad and the friendship, have successfully exported in many countries and install the multi-level continuous vacuum microwave drying equipment, such as Indonesia, South Africa, Uzbekistan, Jordan, Brazil and so on. Please contact us and we will live up to our expectations.